

# VM-26

## CNC MULTI-AXIS SPRING FORMER w/wire revolving mechanism

- Hi-speed feed unit revolution mechanism
- Quill/Feed unit moves back-and-forth
- Main table divided into 2 sections up and down, and travel independently of each other from side to side
- Versatile movement with newly developed mechanisms and 16-axis servomotor
- Forming is processed with only program once toolings are setup
- No need wrenches and spanners for fine adjustment
- Mec New Operation System gives user-friendliness, gauging and multifunctional production management

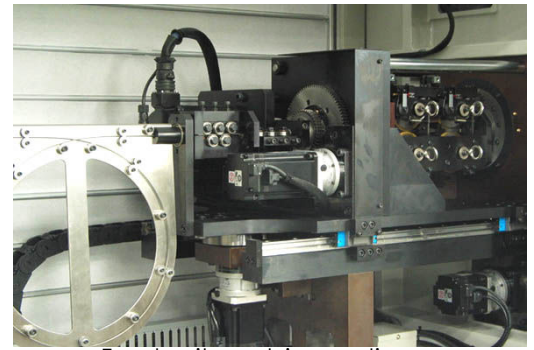


### ORII & MEC CORPORATION

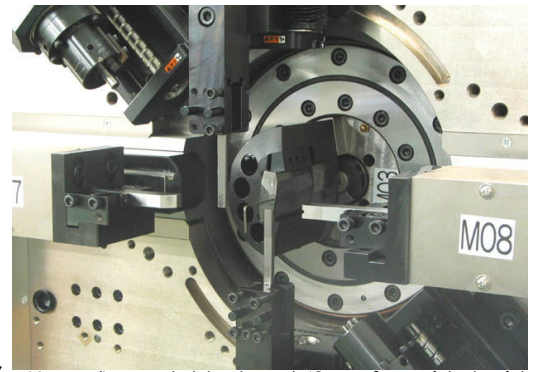
1-17-24 Kamiaoki-Nishi Kawaguchi-shi Saitama 333-0845 Japan  
TEL: (81) 48-256-3511 FAX: (81) 48-256-3595  
<http://www.oriimec.co.jp/> e-mail: [info-spring@oriimec.co.jp](mailto:info-spring@oriimec.co.jp)

**Features**

- Feed unit having revolution mechanism newly developed does not need offset. Center of gravity is at very center of revolution, i.e. only a little bit of moment of inertia results in hi-speed and smooth wire revolution, and also no vibration even though ultimate hi-speed.
- Integrated feed unit including quill moves 60mm back-and-forth, and it is easy to make adjustment of coil diameter, twirl, form parts having long tail and so on.
- Main tooling table is divided into 2 parts up and down, i.e. slides arranged on each table move +/-20mm from side to side. Adjustment for initial tension, making pitch, alignment of grooves on toolings and such can be made with program.
- Quill has 120mm in depth and Slide travels 140mm that give enough room for twirling of products.
- Crank slide equipped on the tooling table can cut up to 2mm of wire diameter in quill cutting method. Durable cut slides arranged both sides on the front plate can be applied to simple press work.
- 2 R servos, one having inner/outer double-revolution, and another having only outer end single-revolution are equipped as standard spec.
- Program display controlled by "MNO" is easy-to-read, i.e. program flow, each axis operation status, input/output, jump and so on can be grasped by scrolling.
- Easy to make long program and also shorten setup time with multifunction.
- Gauging, Coil end control, Input/Output and such program screen comes on independently.



Feed unit revolving portion



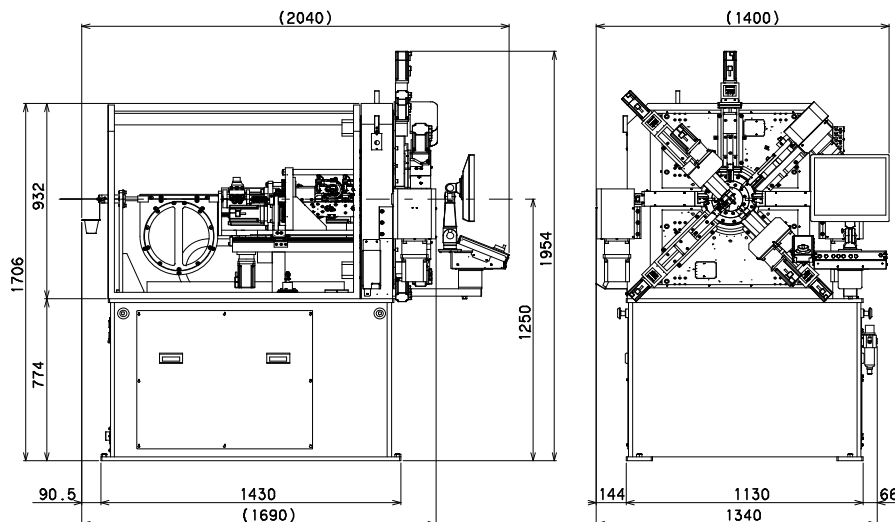
Upper/Lower tables travel 40mm from side to side  
Quill travels 60mm back-and-forth

**Motor Sensor System, MSD-1 (Standard spec.)**

Positioning function is used by applying contact probe to drive servomotor. It measures free length, outside diameter, leg portion angle in 1/1000mm resolution, and performs corrective control. It functions as well as capacitance sensor or contact type sensor.

**Machine specifications**

|               |                |                 |  |                      |
|---------------|----------------|-----------------|--|----------------------|
| Wire Diameter | φ 1.0~2.6mm    | Control Device  | Max. 16-axis to be controlled by OS Windows XP |                      |
| Index         | D/d 4 or more  | Display         | 17" TFT color LD display                       |                      |
| Twirl range   | Radius 120mm   | External memory | USB thumb drive                                |                      |
| Slides        | Tool slide     | 2 pcs           | Service Temp.                                  | 0 ~ 40°C             |
|               | WR servo slide | 1 pce           | Power Source                                   | AC 200V 3-phase, 30A |
|               | SR servo slide | 1 pce           | Service Air pressure                           | Max. 0.5 MPa         |
|               | Crank slide    | 1 pce           | Net weight                                     | 1800 kg              |
|               | Cut slide      | 2 pcs           |  |                      |



Specifications are subject to change without notice.